

FOR COMPLETE INFORMATION SEE TEXT AND USER'S MANUAL P9067-2V1. ALL INTERCONNECTIONS MUST BE MADE USING UL LISTED LIMITED ENERGY CABLE. FIRE PROTECTION INSTALLATION MUST FOLLOW REQUIREMENTS OF NFPA STANDARD NO. 74 (NATIONAL FIRE PROTECTION ASSOCIATION, BATTERYMARCH PARK, QUINCY, MA 02268).

COMPLIES WITH FCC RULES, PART 68
FCC REGISTRATION No. CFS8DL-71924-AL-R
RINGER EQUIVALENCE 0.08

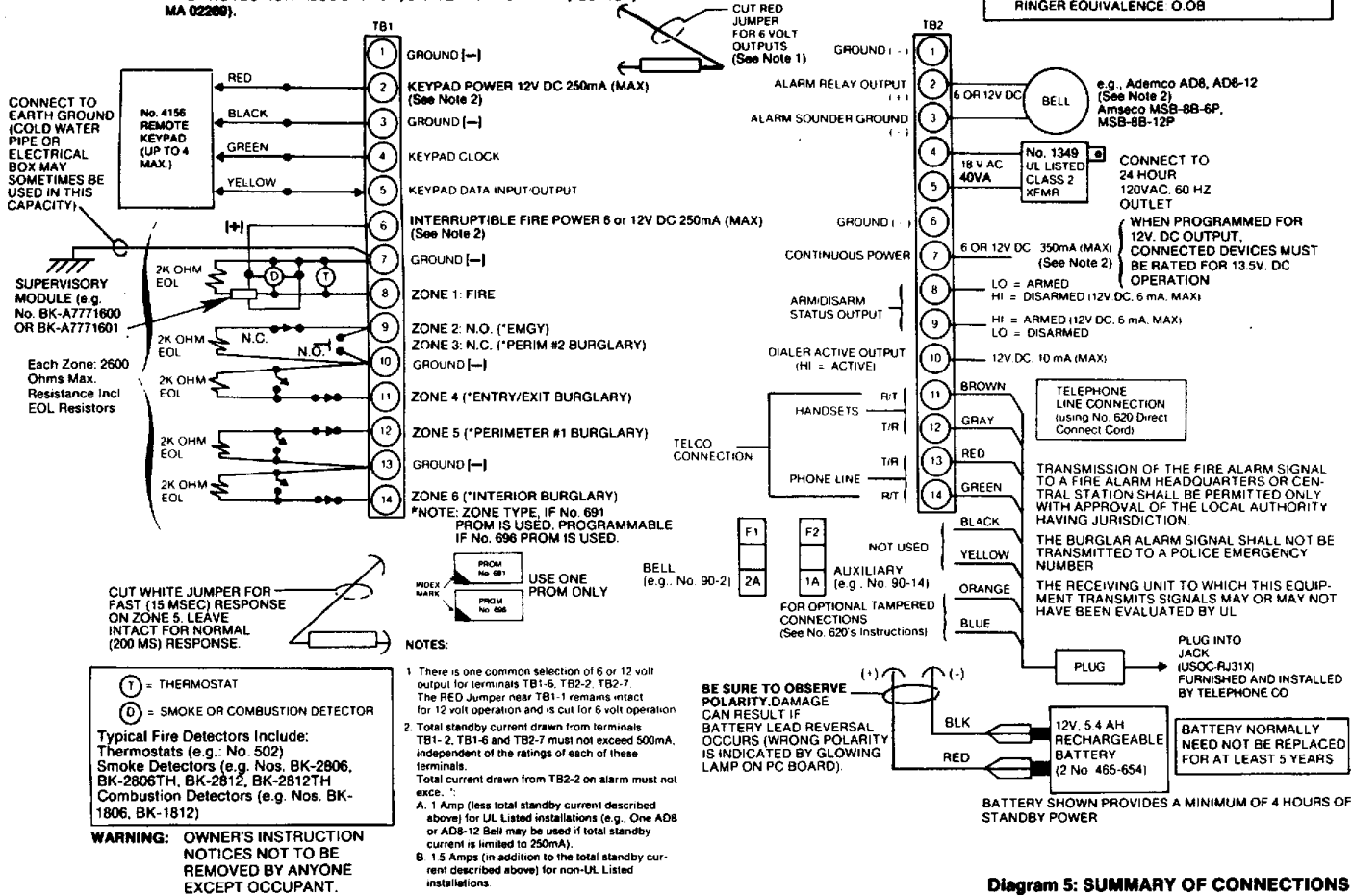


Diagram 5: SUMMARY OF CONNECTIONS

4/50 version 2/3